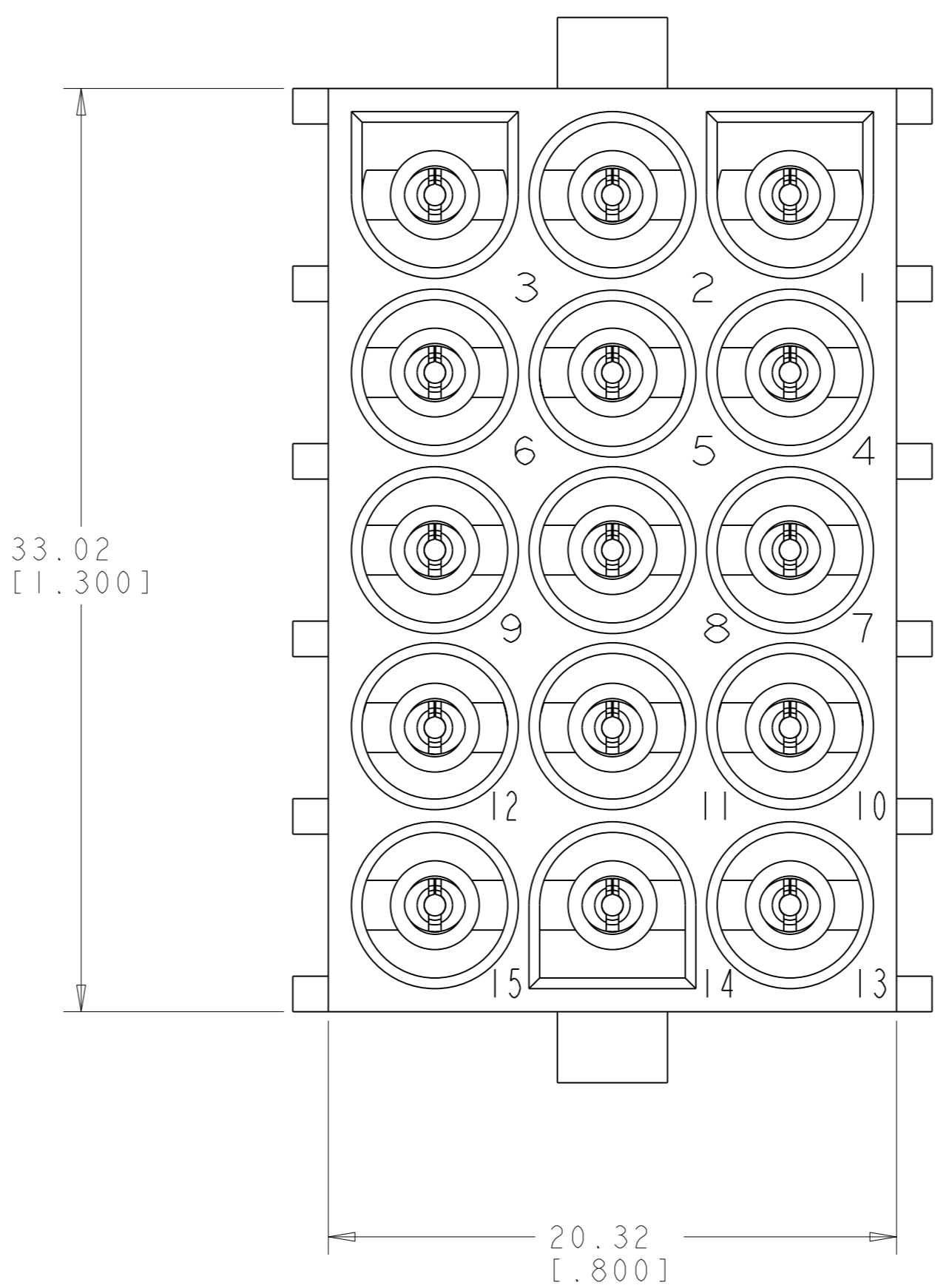
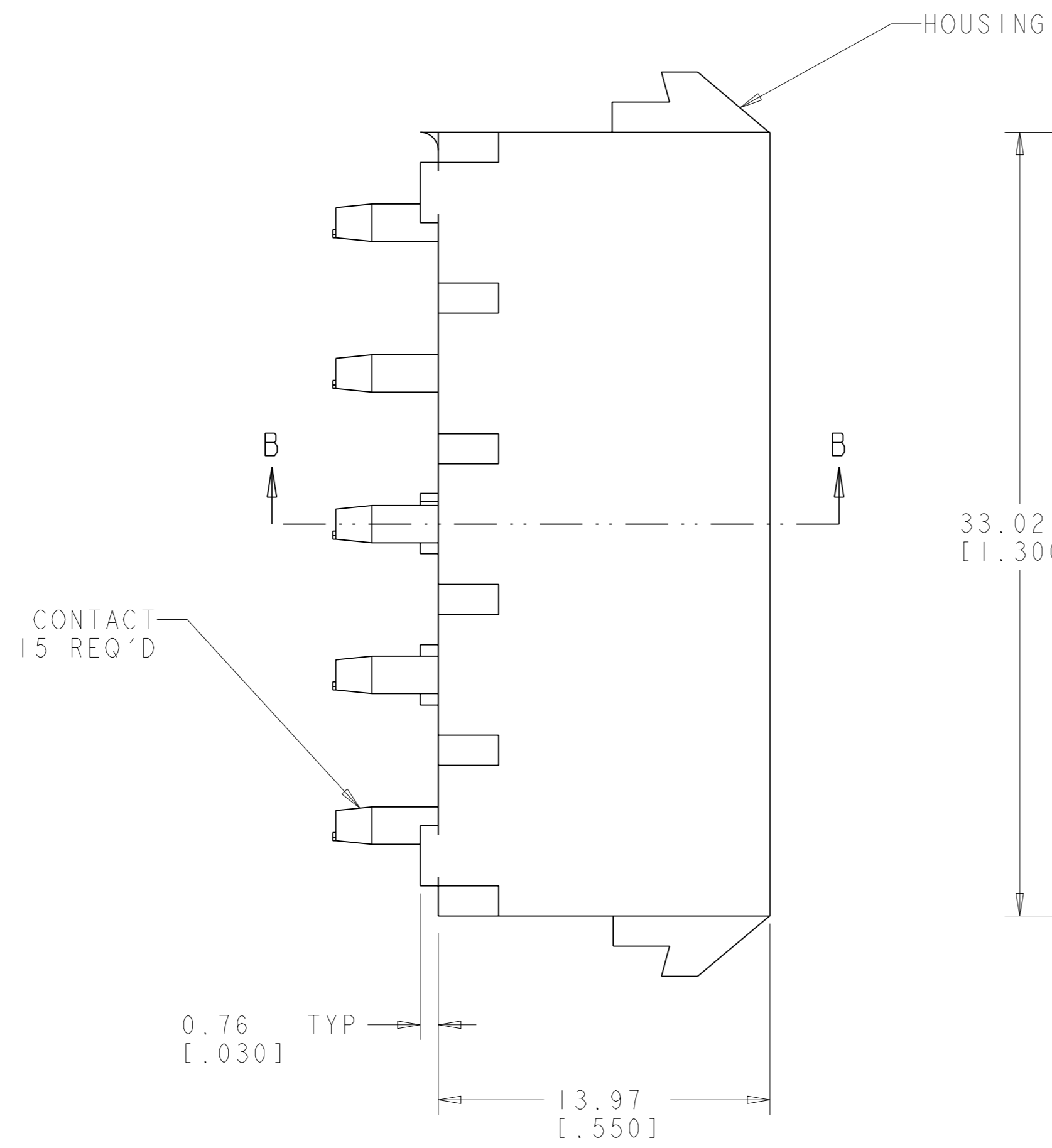
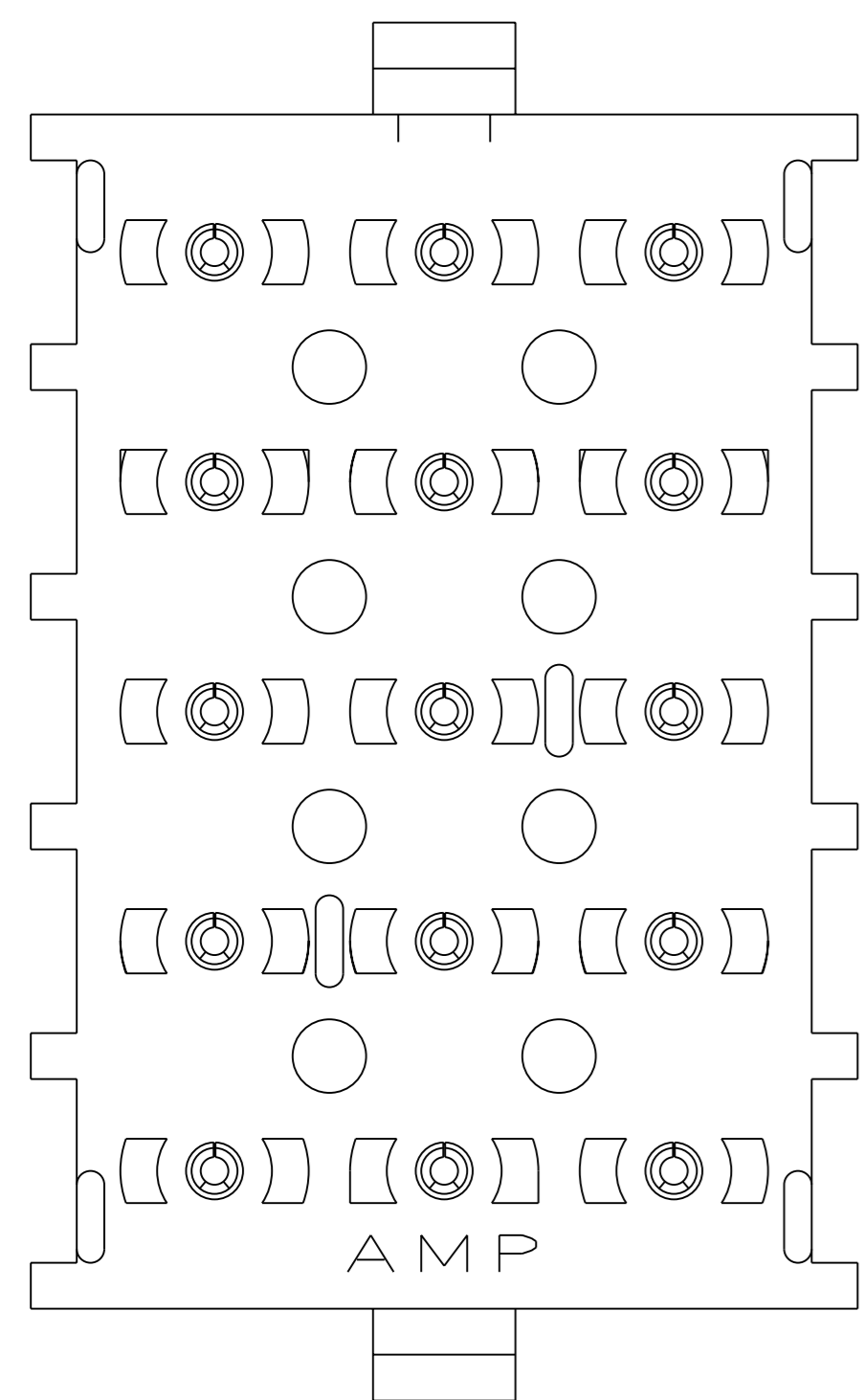
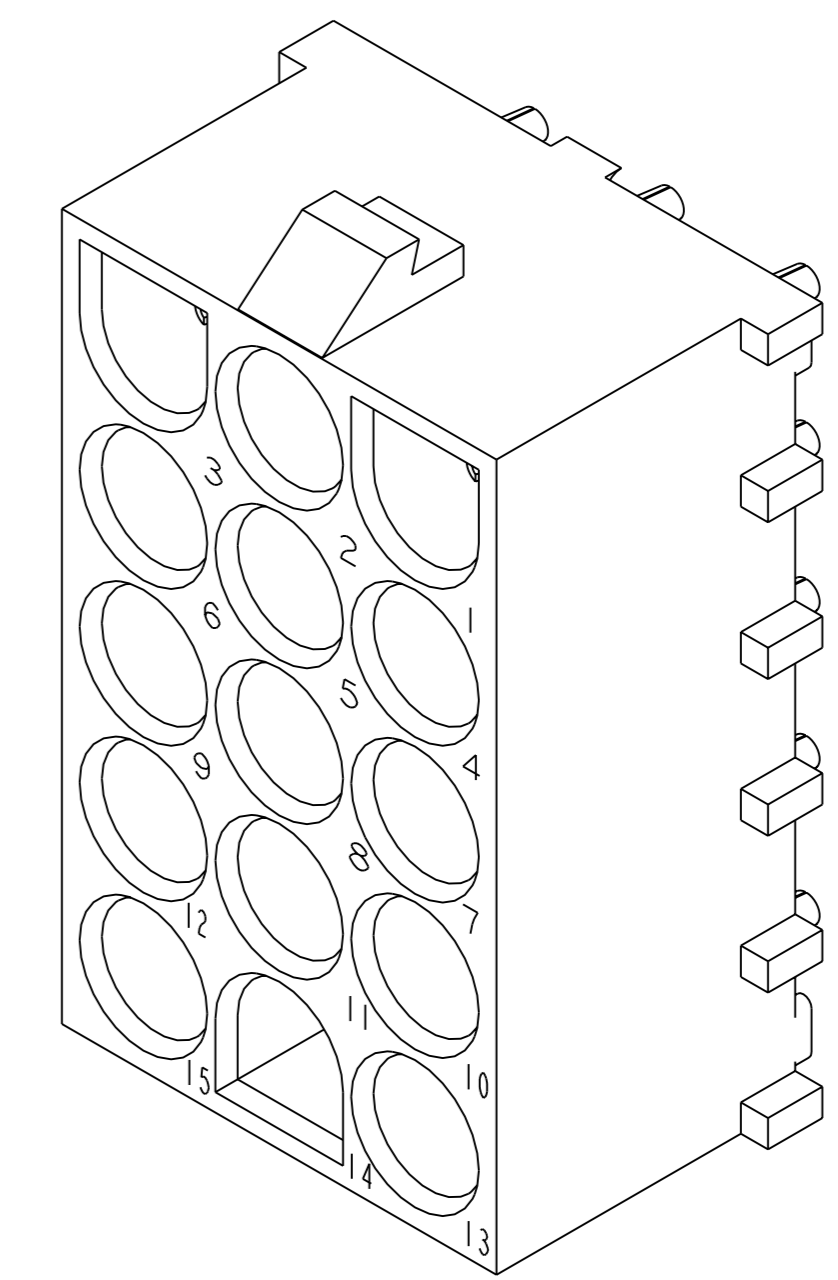


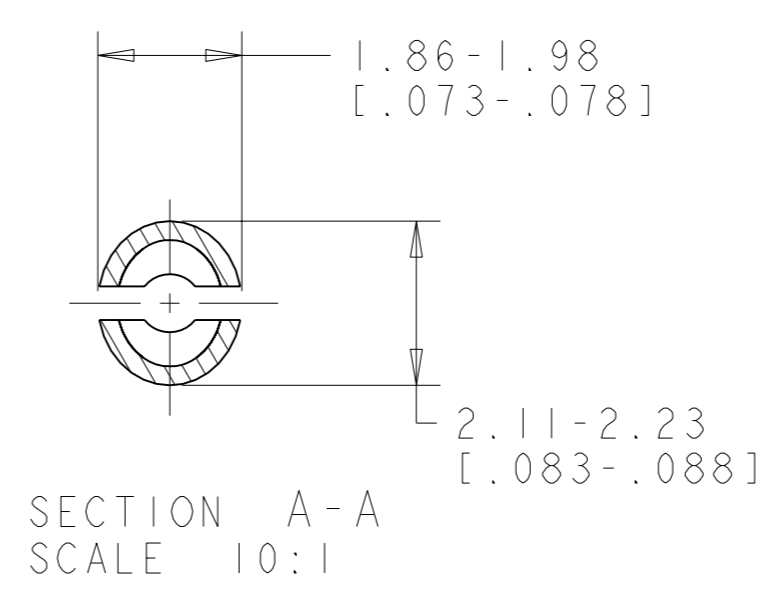
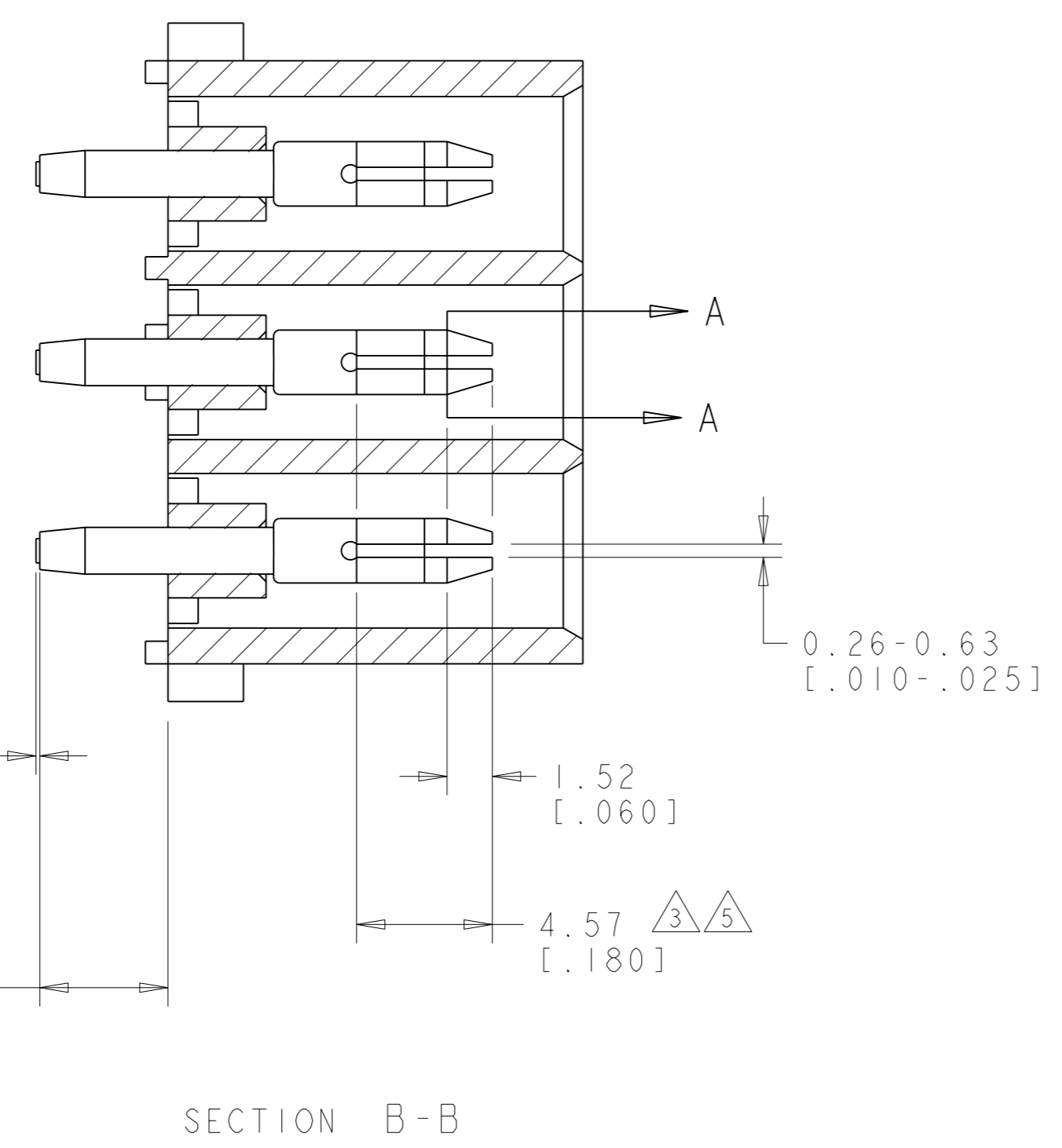
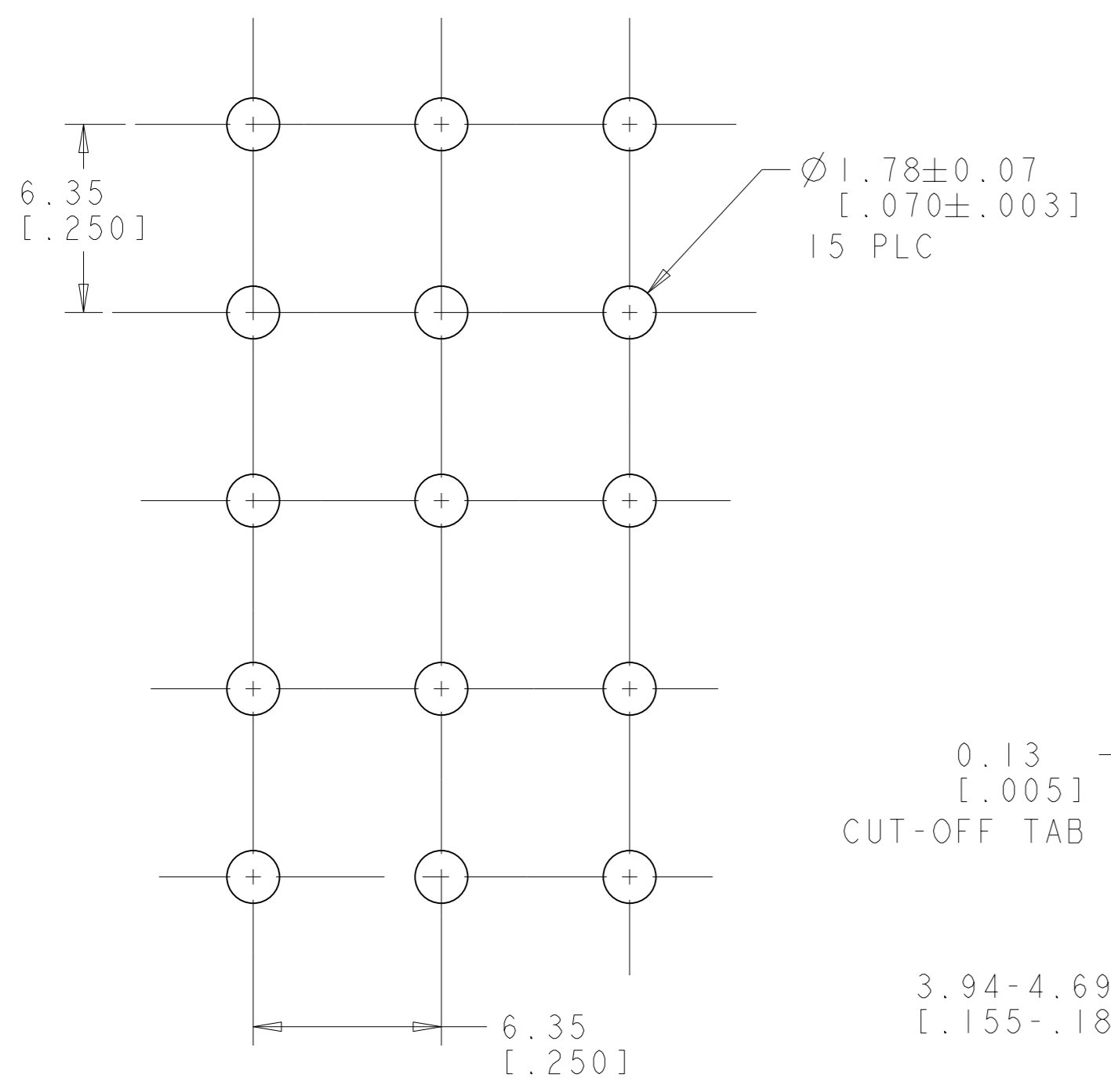
LOC		DIST		REVISIONS			
F	YR	DESCRIPTION	DATE	DWN	APVD		
Y		REVISED PER 0G3B-1100-04	19JULY05	KW	SR		



- MATES WITH HOUSING 480710.
- PARTS COMPLY TO AMP SOLDERABILITY SPECIFICATION 109-11-3.
- CONTACT IS PLATED OVERALL WITH 0.00127 [0.00050] NICKEL, THEN 0.00076 [0.00030] GOLD OVER CONTACT LENGTH INDICATED AND TIN LEAD ON SOLDER TAIL END.
- CIRCUIT IDENTIFICATION CHARACTERS ARE ADJACENT TO THE INDICATED CAVITIES, BUT LOCATION AND ORIENTATION MAY DIFFER FROM PRINT.
- CONTACT IS PLATED OVERALL WITH 0.00127 [0.00050] NICKEL, THEN 0.00076 [0.00030] GOLD OVER CONTACT LENGTH INDICATED AND MATTE TIN ON SOLDER TAIL END.
- DIMENSIONS IN BRACKETS ARE IN INCHES.



3 DIMENSIONAL MODEL
SCALE 4:1



SECTION A-A
SCALE 10:1

PHOSPOR BRONZE, GOLD $\Delta 5$	NYLON, UL94V-2, NATURAL	350434-4
PHOSPOR BRONZE, GOLD $\Delta 3$	NYLON, UL94V-2, NATURAL	350434-2
PHOSPOR BRONZE, PRE-TIN	NYLON, UL94V-2, NATURAL	350434-1
PIN CONTACT MATERIAL AND FINISH	HOUSING MATERIAL AND COLOR	PART NUMBER

RECOMMENDED MOUNTING HOLE PATTERN FOR 1.57 [0.062] THICK P.C. BOARD HOLE THAT CORRESPONDS TO REMOVED CONTACT CAN BE OMITTED

METRIC

DIMENSIONS: mm [INCHES]		TOLERANCES UNLESS OTHERWISE SPECIFIED:		DWN: K. WHITAKER 04MAY2005		Tyco Electronics	
0 PLC	±	0 PLC	±	CHK: S. RIDGILL 04MAY2005	NAME: PIN HEADER ASSEMBLY, 15 CIRCUIT, UNIVERSAL MATE-N-LOK(TM)		RESTRICTED TO
1 PLC	±	1 PLC	±	APVD: S. RIDGILL 04MAY2005	SIZE: A		SHEET 1 OF 1
2 PLC	±0.13 (.005)	2 PLC	±0.13 (.005)	APPLICATION SPEC		SCALE: 1:1	REV: Y
3 PLC	±	3 PLC	±	WEIGHT		CUSTOMER DRAWING	
4 PLC	±	4 PLC	±	MATERIAL SEE TABLE		DRAWING NO: 00779 ©=350434	
ANGLES	±	ANGLES	±	FINISH SEE TABLE		DATE: 19JULY05	
	±		±			DWN: KW	
	±		±			APVD: SR	